



**FEATURES**

High-Precision SMT DC-DC Circuit Design | Ensures full output of 12V circuit | Double-layer fiberglass PCB circuit | Flat copper filter inductor



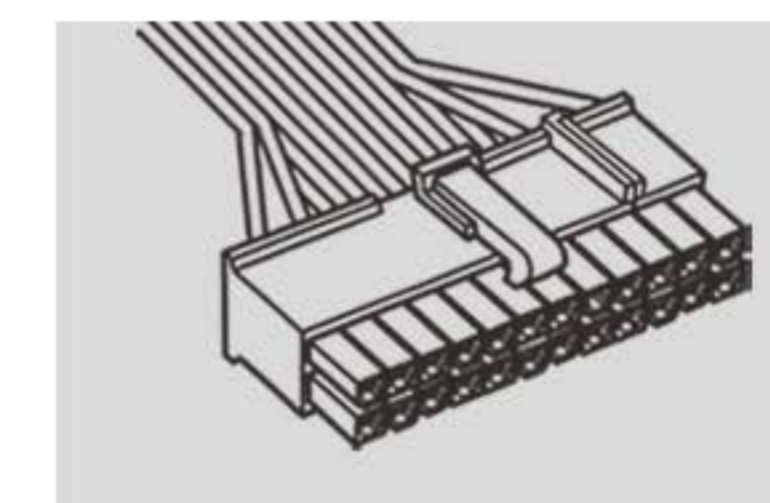
**AC750** FULL MODULAR POWER SUPPLY



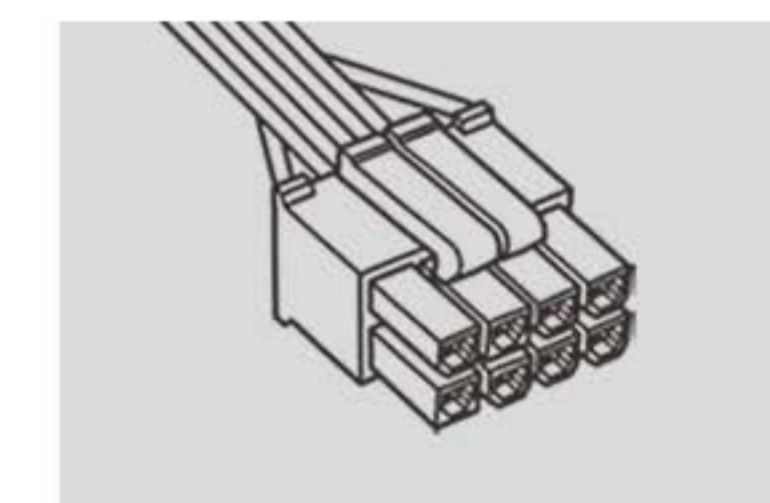
**SPECIFICATIONS**

Rated Power	750W (Full Modular)
Voltage	220V
Main Features	Active APFC+DC-DC / PCIE 5.0
Efficiency	80PLUS Bronze Certification
Temperature Control	Supported
Protections	Overvoltage/undervoltage Protection, Short Circuit Protection, Overload Protection
Warranty	5 years
Packaging Accessories	Screw package, Manual, Power Cord

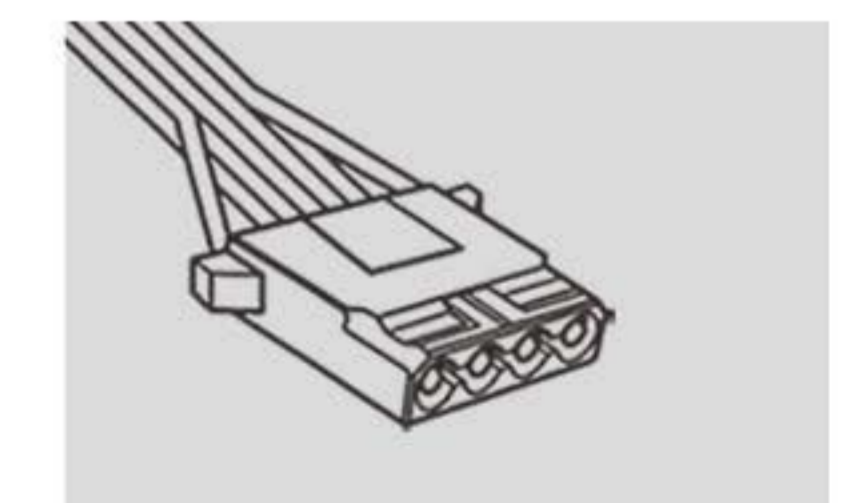
**CONNECTORS**



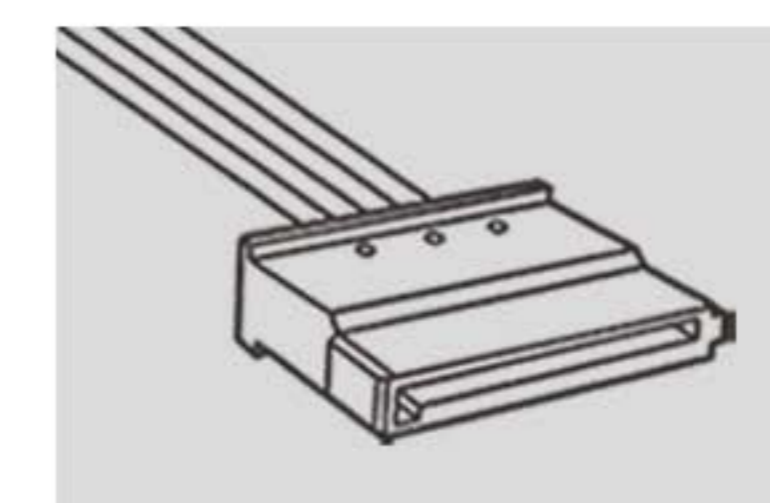
1x (20+4PIN)



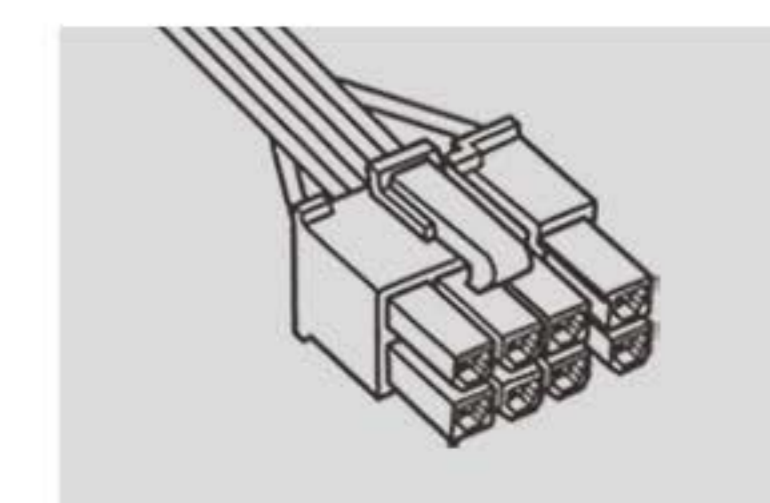
2x (P4+4)



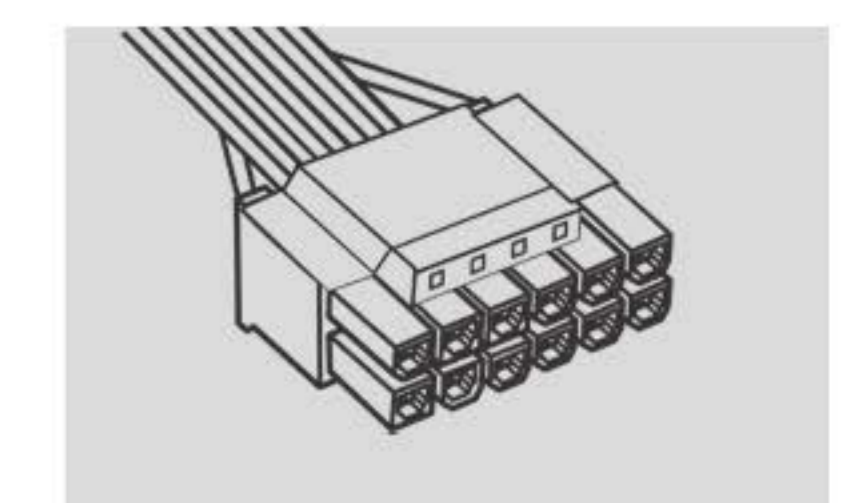
3x Large 4PIN



5x SATA



2x (P6+2)



1x PCIE 5.0